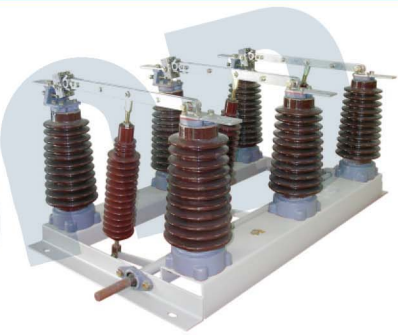


GN27-40.5 Indoor AC High Voltage Disconnect Switch

Summary

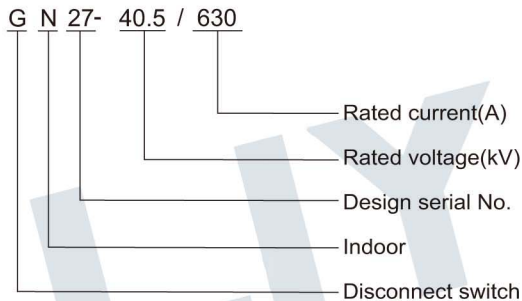
GN27-40.5 disconnect switch is an indoor electric apparatus used in rated voltage 40.5kV, three-phase AC 50/60Hz system.



Ambient condition

1. Altitude: $\leq 1000\text{m}$;
2. Ambient temperature: $-25^{\circ}\text{C}\sim+40^{\circ}\text{C}$;
3. Relative humidity: daily average $\leq 95\%$, monthly average $\leq 90\%$;
4. Earthquake intensity: ≤ 8 degree;
5. Applicable occasions should free from inflammables, explosives, corrosives and severe vibration.

Model



Product feature

1. Scientific design and innovative structure.
2. Multi contacts, rotary contacting, auto-cleaning capacity and effective cooling.
3. Contacting points distribute on two planes, small operating moment and good pressure withstand capability, as well as easy of adjustment.
4. Applicable when creepage distance, insulating capacity and withstand voltage are all on the highest level.
5. Axletree is fabricated on the rotary axle so as to prolong lifetime of apparatus and to simplify operation.

Technical specification

Model	Rated voltage (kV)	Rated current (A)	Rated short-time withstand current (4s)	Rated peak withstand current (kA)	Lightning impulse withstand voltage		1min. PF withstand voltage	
					Phase to phase	Across open contacts	Phase to phase	Across open contacts
					phase to earth		phase to earth	
					(kV)		(kV)	
GN27-40.5/630-20	40.5	630	20/4s	50	185	215	95	115
GN27-40.5/1250-31.5	40.5	1250	31.5/4s	80	185	215	95	115

Outline dimension

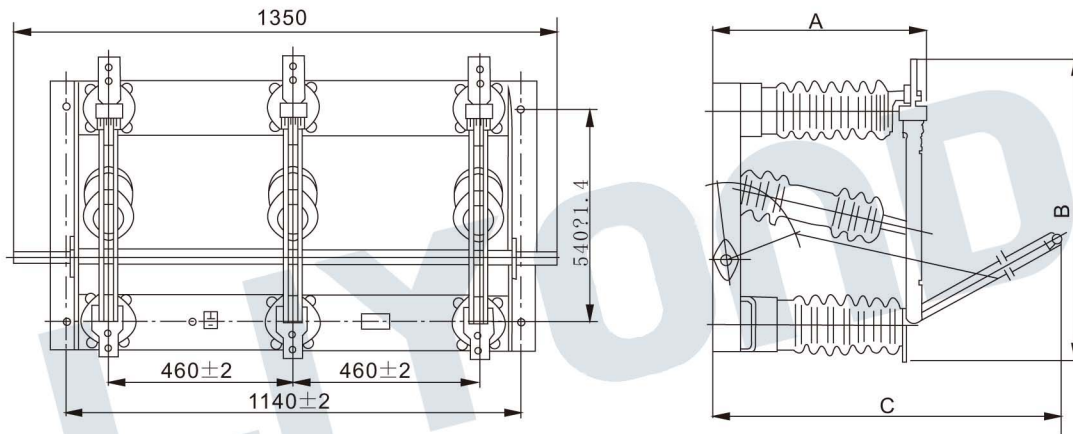


Diagram 1 GN27-40.5/630-20/1250-31.5 Indoor high voltage disconnect switch

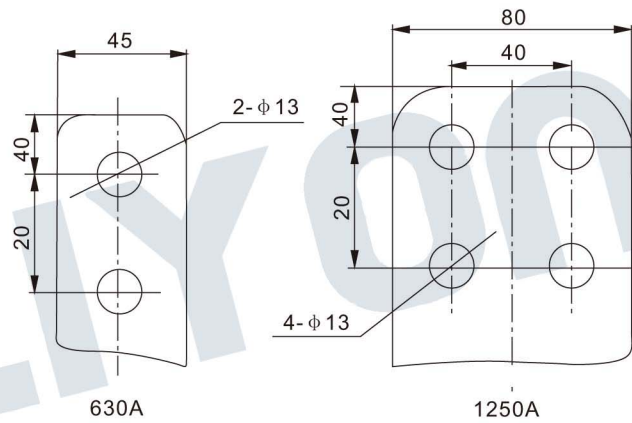


Diagram 2 Connecting terminal

Product model	A	B	C
GN27-40.5/630-20	543	781	940
GN27-40.5/1250-31.5	544	788	950

C